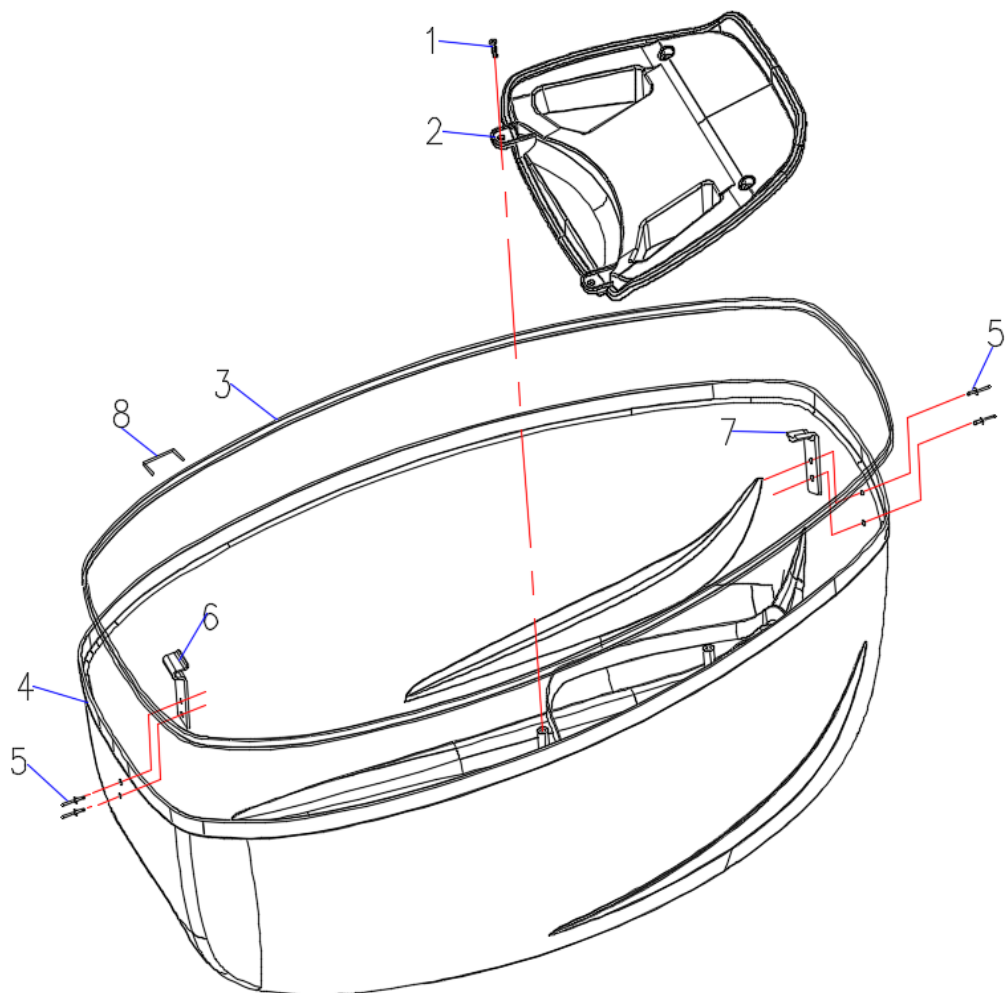


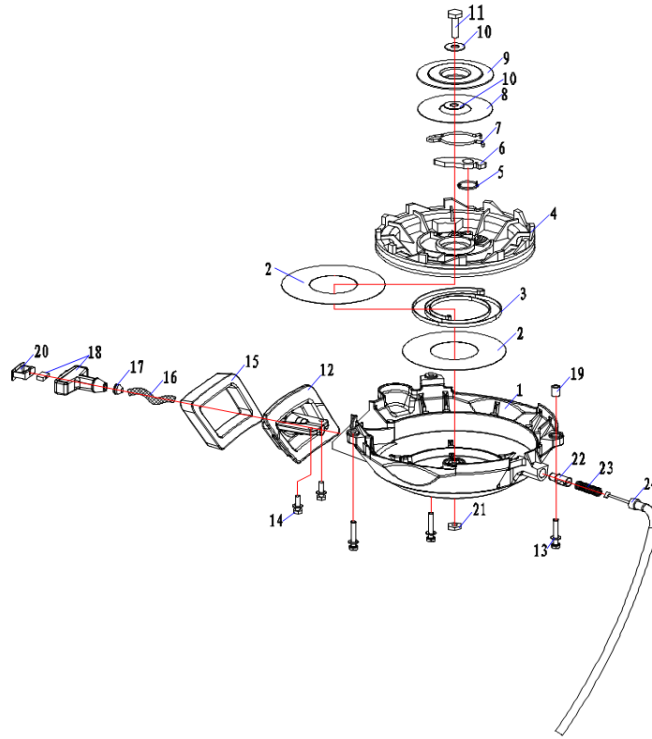


Мотор лодочный Marine Rocket MR25/30FH



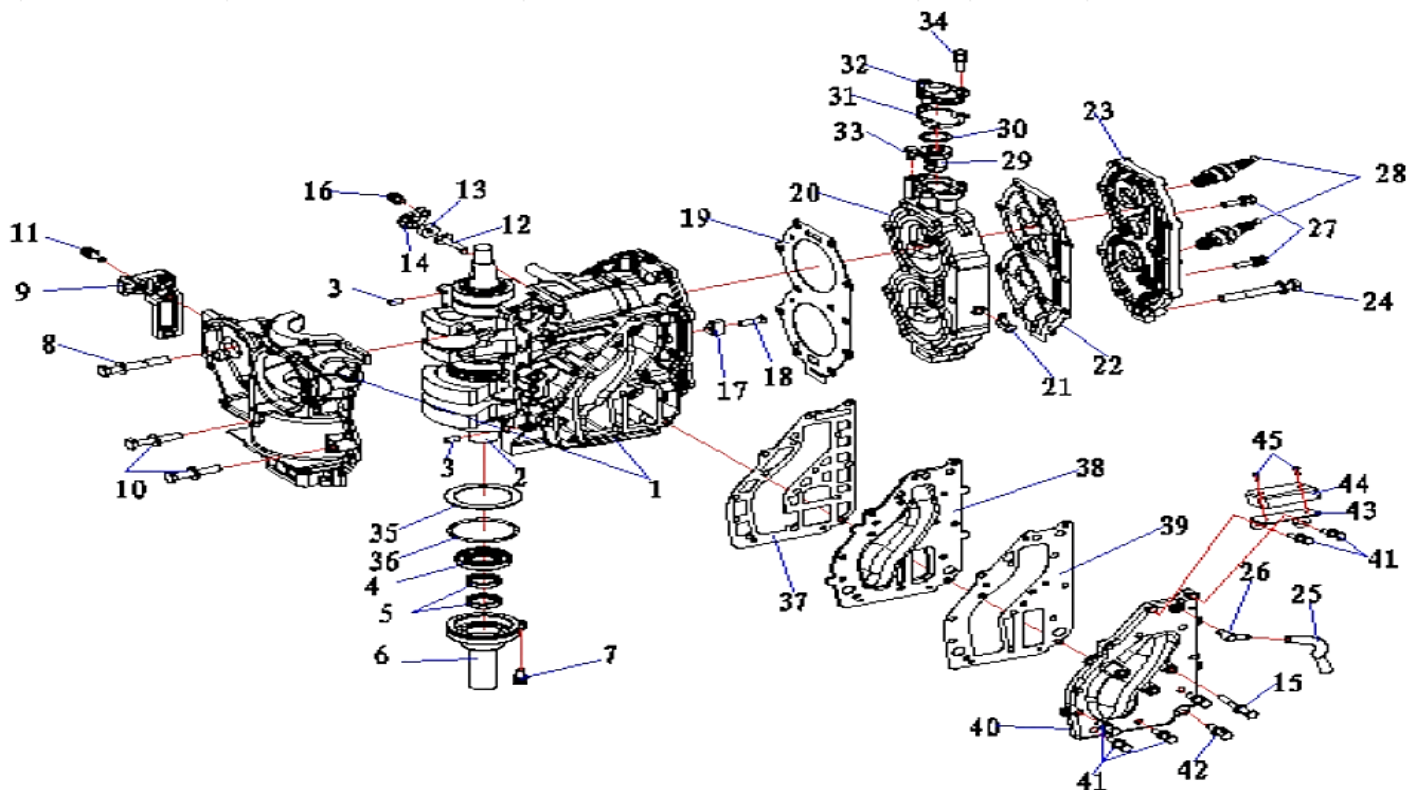
1.Капот

NO.	КОД MR	КОД №2	КОД OEM	НАИМЕНОВАНИЕ	ШТ	УПАКОВКА
1	MR0104091BAG		GB845 ST4.2x16	Screw ST4.2*16	4	10
2	MR010713052		30F-07.00.00.02	Air inlet cap	1	1
3	MR010613032		30F-07.00.00.03	Rubber sealing strip	1	1
4	MR010713051		30F-07.00.00.01	Top cowling	1	1
5	MR0104228		4.0*16	Rivet	4	1
6	MR2080507001		F15-07.08.10	Front locking hook	1	1
7	MR010813057	MR010813057	30F- II -07.00.00.04	Rearlocking hook	1	1
8	MR01090131B		15F-07.07	Bingding nail		
	MR030221	MR08010013		top cowling, Assy	1	1



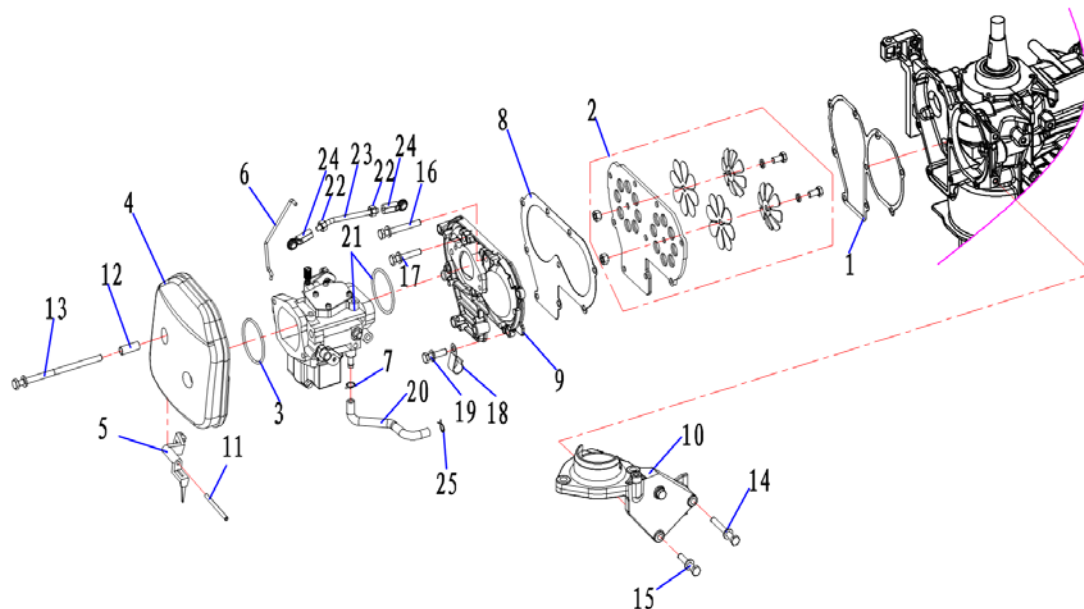
2. Ручной стартер

NO.	КОД MR	КОД №2	КОД OEM	НАИМЕНОВАНИЕ	ШТ	УПАКОВКА	YAMAHA
1	MR0909010113003	MR07130002	30F-01.01.00.11	Starter Cover	1	1	61N-15711-10
2	MR010713005		30F-01.01.00.10	friction ring	2	1	6F5-15739-00
3	MR01091101		40F-01.01.08	Volute spring	1	1	6F5-15713-01
4	MR010713004		30F-01.01.01.00	Start wheel comp.	1	1	6G0-15714-01
5	MR010913016BAG		30F-01.01.00.08	drive pawl torsion	1	2	61N-15734-00
6	MR010813050		30F-01.01.00.07	Drive pawl	1	1	6F5-15741-01
7	MR010913014BAG		30F-01.01.00.06	Clip spring	1	2	61N-15715-00
8	MR010713001BAG		30F-01.01.00.16	Washer, Starter plate	1	2	
9	MR010813014		30F-01.01.00.05	Starter plate	1	1	6F5-15716-01
10	MR0104165BAG		GB96 M8	Flat gasket	2	10	
11	MR0104037BAG		GB5783 M8x30	Bolt	1	2	
12	MR0909010113004	MR07130003		Bracket, Starter cover assy.	1	1	61N-15758-01-4D
13	MR0104409BAG		GB9074.1 M6x35	Hexagonal bolt & flat gasket assy M6*35	3	10	
14	MR0104404BAG		GB9074.1 M6x16	Bolt	2	10	
15	MR010613062		30F- II -01.01.00.04	Damper	1	1	61N-15762-00
16	MR01100103		15F-01.01.22	starter rope	1	1	
17	MR01061105BAG		40F-01.01.19	Shock ring, handle	1	2	6A0-15789-00
18	MR01071107		40F-01.01.18	Starter handle	1	1	689-15755-01
19	MR01020202BAG		F15-01.01.00.18	Dowel pin	1	5	
20	MR01071106BAG		40F-01.01.16	Starter Handle cover	1	2	
21	MR010415001BAG		GB6172 M8	Bolt	1	10	6F5-15779-02
22	MR010713003BAG		30F-01.01.00.02	Plug, Brake	1	5	656-15748-00
23	MR010913002BAG		30F-01.01.00.01	Spring, brake	1	5	90501-10227
24	MR011013190		30F-01.01.02.00	Brake cable comp.	1	1	61T-15770-00
	MR030110	MR08020007	30F-01.01.00.00	Recoil starter assy.	1	1	



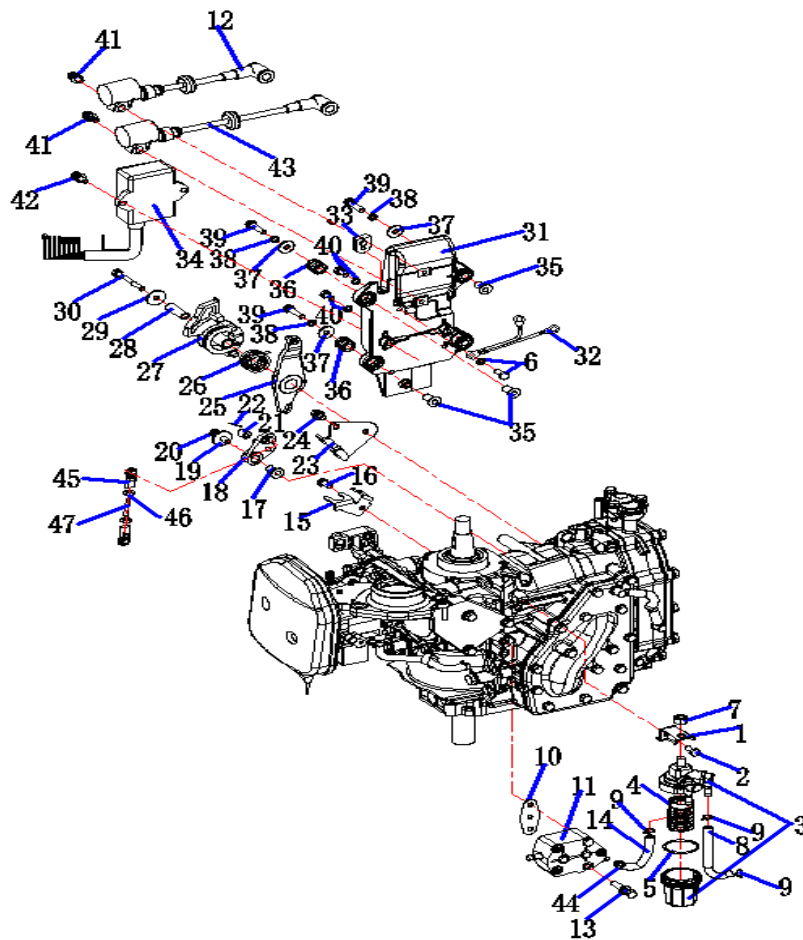
3. Блок двигателя

NO.	КОД MR	КОД №2	КОД OEM	НАИМЕНОВАНИЕ	ШТ	УПАКОВКА	YAMAHA
1	MR01011301701	MR090901011301701	30F-01.04.01.00	Crankcase comp.(with crankcase cover)	1	1	69P-15100-00-1S
2				Crankshaft connecting rod with pistons	1		69P-11400-00
3	MR01020110BAG		15F-01.06.20	Locating Pin 2*6	2	10	93606-12019
4	MR010513022		30F-01.04.00.22	Oil seal(bottom),crankshaft(25*48*8)	1	1	
5	MR010511170		40F-01.06.00.23	Oil seal (16*30*6)	2	1	
6	MR010113018	MR0909010113018	30F-01.04.00.20	Casing,oil seal	1	1	
7	MR0104406BAG		GB9074.1 M6x20	Flat gasket&Bolt	1	10	
8	MR0104417BAG		GB9074.1 M8x60 (10.9)	bolt&flat gasket Assy.	8	5	
9	MR010113013		30F-01.04.00.14	Bracket(L),Starter cover assy.	1	1	6H7-15771-01-94
10	MR0104063		GB9074.1 M8x45 (10.9) (S10)	Hexagonal headed bolt and flat plate M8*45	2	1	
11	MR0104407BAG		GB9074.1 M6x25	Hexagonal bolt & flat gasket assy M6*25	2	10	
12	MR010113051		30F-01.04.00.18	Anode	1	1	6J8-11325-00
13	MR01061302BAG		30F-01.04.00.17	water seal	1	2	6H3-11328-00
14	MR010113015		30F-01.04.00.16	Lock pad	1	1	6H3-11327-00-1S
15	MR01044101BAG		GB9074.1 M6x50	Hexagon headed bolt and flat plate M6*50	3	10	
16	MR0104404BAG		GB9074.1 M6x16	Bolt	1	10	
17	MR010113052		30F-01.04.00.09	Anode	1	1	689-11325-00
18	MR0104247BAG		GB819 M6x20	Cross recessed countersunk head screw M6*20	1	10	
19	MR010513012		30F-01.04.00.08	Cylinder gasket	1	1	61N-11181-A1
20	MR010113010	MR0909010113010	30F-01.04.00.07	Cylinder cover	1	1	61N-11111-01-1S
21	MR01020109		15F-01.06.10	water Tube fitting B	1	1	676-11372-00
22	MR010513023		30F-01.04.00.06	Outer cover gasket,cylinder head	1	1	61T-11193-A1
23	MR010113009		30F-01.04.00.05	Outer cover,cylinder head	1	1	61N-11191-01-1S
24	MR0104066BAG		GB5783 M8x65(10.9)	bolt M8*65	11	5	
25	MR010613005BAG		30F-01.04.00.01	hose (5*10*105)	1	2	
26	MR01020109		15F-01.06.10	water Tube fitting B	1	1	676-11372-00
27	MR0104406BAG		GB9074.1 M6x20	Flat gasket&Bolt	2	10	
28	MR01030310		BR8HS-10	Spark plug	2	1	94702-00160
29	MR01050104		15F-01.06.14-50°	thermostat 50°C	1	1	6E5-12411-02
30	MR01080114BAG		15F-01.06.14.01	Big gasket	1	5	90201-21567
31	MR010513024BAG		30F-01.04.00.04	Thermostat gasket	1	2	655-12414-A1
32	MR010113008	MR0909010113008	30F-01.04.00.03	Thermostat cap	1	1	655-12413-01-1S
33	MR0104403BAG		GB9074.1 M6x12	Bolt	1	10	
34	MR0104406BAG		GB9074.1 M6x20	Flat gasket&Bolt	3	10	
35	MR010813016		30F-01.04.00.31	Cap,bearing	1	1	
36	MR010613031BAG		30F-01.04.00.21	O ring,Oil seal casing	1	2	
37	MR010513030		30F-01.04.00.13	Gasket,exhaust outer cover	1	1	6K8-41124-A1
38	MR010113012	MR0909010113012	30F-01.04.00.12	Inner cover,exhaust	1	1	6K8-41121-00-1S
39	MR010513031		30F-01.04.00.11	Gasket,exhaust inner cover	1	1	6K8-41122-A1
40	MR010113011	MR0909010113011	30F-01.04.00.10	outer cover,exhaust	1	1	61N-41123-00-1S
41	MR0104408BAG		GB9074.1 M6x30	Bolt	11	10	
42	MR0104407BAG		GB9074.1 M6x25	Hexagonal bolt & flat gasket assy M6*25	1	10	
43	MR010813058		30F-01.02.00.13	timer Comp. bracket	1	1	
44	MR01031950		60F-01.02.00.13	timer Comp.	1	1	
45	MR01040700BAG		GB818 M3x8	Cross recessed pan head screws	2	10	



4. Впускная система

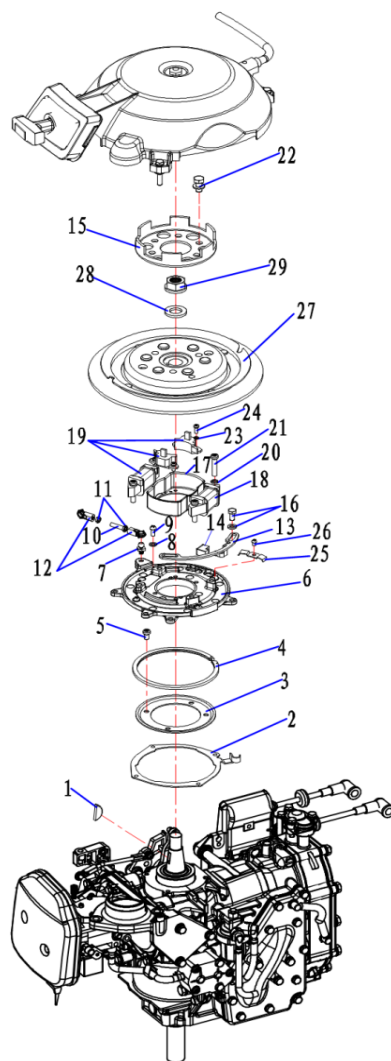
NO.	КОД MR	КОД №2	КОД OEM	НАИМЕНОВАНИЕ	ШТ	УПАКОВКА	YAMAHA
1	MR010513025BAG		30F-01.03.00.11	Air intake valve seat gasket	1	2	648-13621-A1
2	MR010513007		30F-01.03.07.00	Air intake valve assy	1	1	61N-13610-00
3	MR010613004BAG		30F-01.03.00.01	Air intake silencer O ring	1	2	93210-40659
4	MR010713016		30F-01.03.01.00	Air intake silencer Assy.	1	1	61N-14440-00
5	MR010713019		30F-01.03.02.00	Rocker arm comp.,chock	1	1	689-41252-01
6	MR010913004BAG		30F-01.03.00.12	Lever,chock	1	2	61N-41256-00
7	MR01090138BAG			Tube Clip	1	10	
8	MR010513026		30F-01.03.00.10	Air intake manifold seal gasket	1	1	648-13645-A0
9	MR010113007	MR0909010113007	30F-01.03.00.08	Intake manifold	1	1	61N-13641-01-1S
10	MR010113014		30F-01.04.00.15	Bracket(R),Starter cover assy.	1	1	656-15772-00-94
11	MR01041960701BAG		GB879 4x49	Cylindrical pin 4*49	1	10	91690-40048
12	MR010213004BAG		30F-01.03.00.02	Air intake cushion tube	2	2	90387-06M26
13	MR01044120BAG		GB9074.1 M6*115(A2-70)	bolt&flat gasket Assy.	2	5	
14	MR01044100BAG		GB9074.1 M6*45(A2-70)	hexagon headed bolt and flat plate Assy.M6*45	1	10	
15	MR0104408BAG		GB9074.1 M6*30(A2-70)	Bolt	2	10	
16	MR01044101BAG		GB9074.1 M6*50(A2-70)	Hexagon headed bolt and flat plate M6*50	1	10	
17	MR0104409BAG		GB9074.1 M6*35(A2-70)	Hexagonal bolt & flat gasket assy M6*35	6	10	
18	MR01080210BAG		F15-01.03.00.42	fix clip,air breather tube	1	5	
19	MR0104407BAG		GB9074.1 M6*25(A2-70)	Hexagonal bolt & flat gasket assy M6*25	2	10	
20	MR010613041BAG		30F-01.03.00.06	Outlet pipe,fuel pump	1	2	
21	MR010513029		30F-01.03.03.00	Carburetor Assy.	1	1	69P-14301-00
22	MR0104137BAG		GB6170 M5	Hexagon nut M5	2	10	
23	MR0109130060		30F-01.05.01.01	Throttle lever	1	1	
24	MR01070117BAG		15F-01.03.12	Linkage connector	2	2	661-41262-02
25	MR01090139BAG			Clamp φ10	1	10	



5. Фильтр, электрооборудование

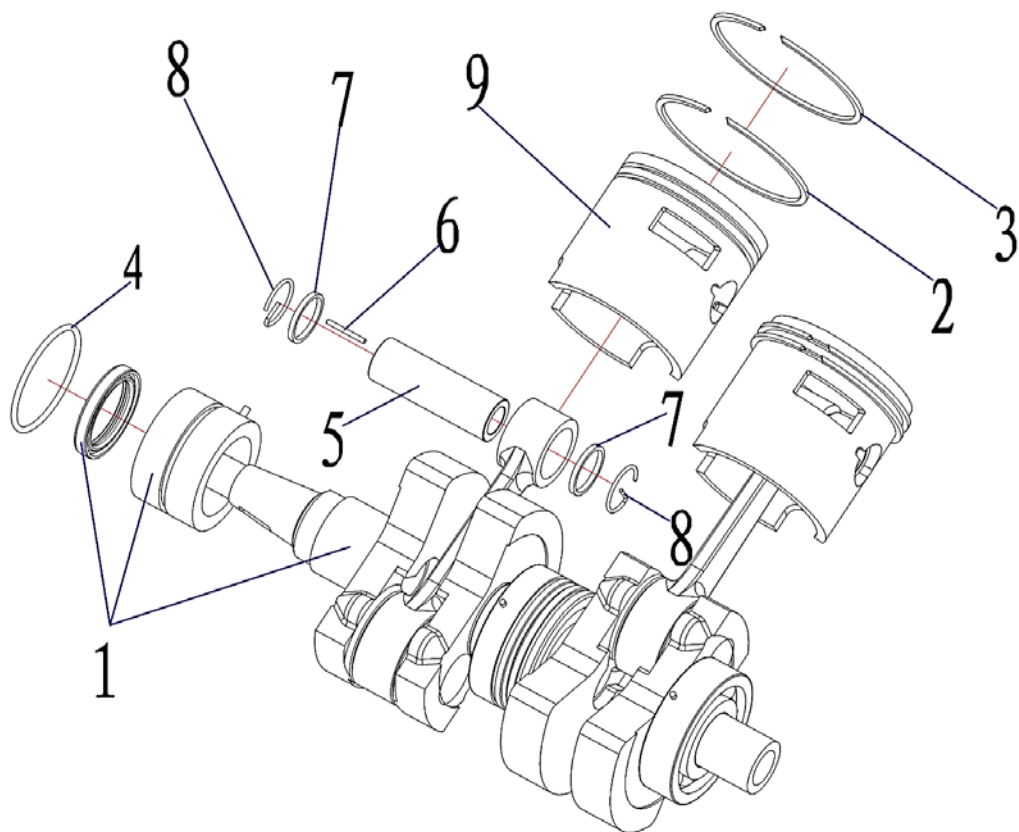
NO.	КОД MR	КОД №2	КОД OEM	НАИМЕНОВАНИЕ	ШТ	УПАКОВКА	YAMAHA
1	MR01080112		15F-01.06.23	outer cover,exhaust	1	1	61N-24566-01
2	MR0104008BAG		GB5783 M6x12	Hex Head Bolt M6*12	1	10	
3	MR01070165		15F-01.07.05.05	Inner cover,exhaust	1	1	61N-24560-00
4	MR2072701075A		F60-01.07.01.31	fuel filter	1	1	61N-24563-00
5	MR01060112BAG		15F-01.07.05.06	O ring,filter	1	2	93210-32738
6	MR0104403BAG		GB9074.1 M6x12	Bolt	1	10	
7	MR0104139BAG		GB6170 M8	Bolt nut	1	10	
8	MR010613040BAG		30F-01.03.00.04	Oil inlet hose,fuel filter 5*9*370	1	2	90445-09M75
9	MR01090138BAG			Tube Clip	3	10	
10	MR01051121BAG		40F-01.07.05	Fuel pump washer	1	2	650-24431-A0
11	MR01051120B		40F-01.07.04.00	Fuel pump assy.	1	1	692-24410-00
12	MR010313003B			Ignition coil (short)	1	1	61N-85570-00
13	MR0104410BAG		GB9074.1 M6x40	Bolt	2	10	
14	MR010613042BAG		30F-01.03.00.05	Oil outlet hose,fuel filter 5*9*105	1	2	689-24311-00
15	MR010813018		30F-01.01.00.15	Bracket,brake cable	1	1	689-24311-00
16	MR0104402BAG		GB9074.1 M6x10	Hexagonal bolt & flat gasket assy M6*10	1	10	
17	MR010213007		30F-01.05.00.01	Shoulder pad tube	1	1	69P-42154-00
18	MR010713012		30F-01.05.02.00	Drive seat,throttle	1	1	
19	MR0104164BAG		GB96 M6	Flat gasket	1	10	
20	MR0104374BAG		GB5783 M6x25	Bolt	1	10	
21	MR010713011BAG		30F-01.05.00.02	Wheel	1	2	
22	MR0104243BAG		GB91 1.2x12	Cotter pin 1.2*12	1	10	
23	MR010813013		30F-01.05.00.06	End wheel bracket	1	1	69P-14497-00
24	MR0104403BAG		GB9074.1 M6x12	Bolt	1	10	
25	MR010713015		30F-01.05.05.00	Cam,timing control	1	1	69P-41631-00
26	MR010913005BAG		30F-01.05.00.05	Torsional spring	1	2	69P-42167-00
27	MR010713014		30F-01.05.04.00	Cam comp.,throttle cable	1	1	69P-41213-00
28	MR010213010BAG		30F-01.05.00.04	End wheel bushing	1	2	90387-06M59
29	MR0104164BAG		GB96 M6	Flat gasket	1	10	
30	MR0104017BAG		GB5783 M6x45	Hexagonal bolt M6*45	1	10	
31	MR010113006		30F-01.02.00.10	CDI bracket	1	1	61N-85542-00-94
32	MR01031300		30F-01.02.00.08	Earthing conductor	1	1	
33	MR010613002BAG		30F-01.02.00.09	Fixing sleeve,speed limit	1	2	6H3-81922-00
34	MR010313009B			CDI	1	1	61N-85540-13

35	MR01021108BAG		40F-01.03.22	Shoulder pad tube	4	2	61N-82317-00
36	MR01061111BAG		40F-01.03.23	Damper	4	2	
37	MR0104164BAG		GB96 M6	Flat gasket	4	10	
38	MR0104154BAG		GB93 M6	Spring Washer	4	10	
39	MR0104014BAG		GB5783 M6x30	Bolt	4	10	
40	MR0104403BAG		GB9074.1 M6x12	Bolt	2	10	
41	MR0104406BAG		GB9074.1 M6x20	Flat gasket&Bolt	2	10	
42	MR0104406BAG		GB9074.1 M6x20	Flat gasket&Bolt	2	10	
43	MR010313006		30F-01.02.08.00	Ignition coil (long)	1	1	
44	MR01090139BAG			Clamp φ10	1	10	
45	MR01070117BAG		15F-01.03.12	Linkage connector	2	2	
46	MR0104137BAG		GB6170 M5	Hexagon nut M5	2	10	
47	MR0109130130BAG			Throttle lever	1	2	



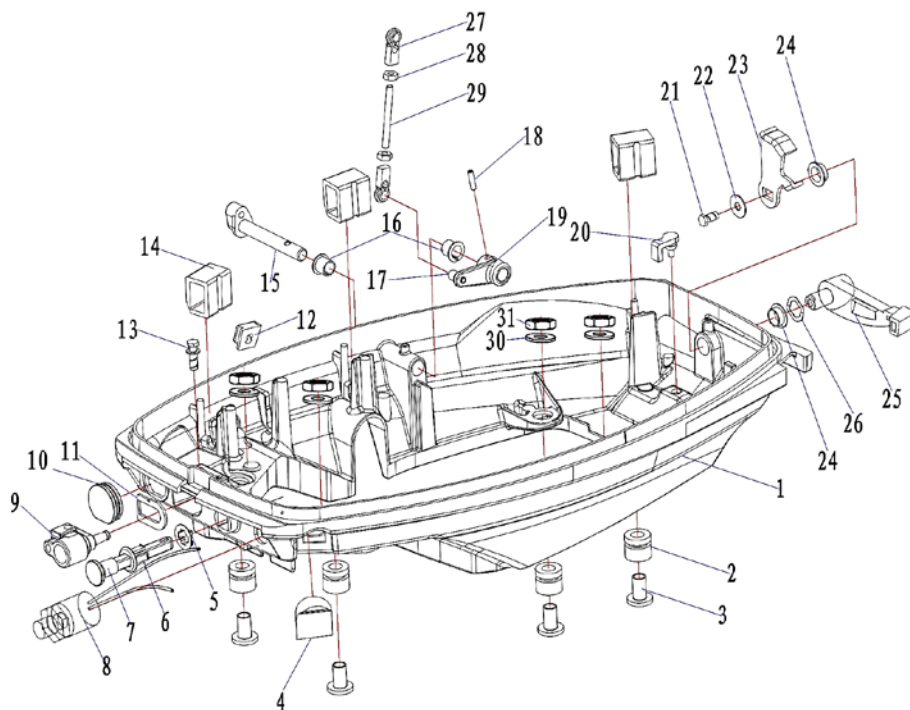
6. Генератор

NO.	КОД MR	КОД №2	КОД OEM	НАИМЕНОВАНИЕ	ШТ	УПАКОВКА	YAMAHA
1	MR011011071		40F-01.03.03	Woodruff key	1	1	90280-05015
2	MR010813004		30F-01.02.00.07	Magneto seat fixer	1	1	676-41613-00
3	MR010813003		30F-01.02.00.06	Bushing plate	1	1	689-41612-01
4	MR010713002BAG		30F-01.02.00.05	Bushign	1	2	676-41611-00
5	MR0104126BAG		GB818 M6x10	Bolt	4	10	97880-06010
6	MR010113005	MR0909010113005	30F-01.02.06.02	Magneto seat	1	1	69P-85561-00
7	MR010213001BAG		30F-01.02.00.02	Ball head bolt	1	2	
8	MR0104153BAG		GB93 M5	Spring washer	4	10	
9	MR0104077BAG		GB818 M5x12	Screw M5*12	4	10	
10	MR0109130090BAG		30F-01.05.03.01	Bolt	1	2	
11	MR0104137BAG		GB6170 M5	Hexagon nut M5	2	10	
12	MR010713013BAG		30F-01.05.00.03	Timing adjustment connecting bolt	2	2	
13	MR010813005		30F-01.02.02.01	Bracket,timing adjuster	1	1	61N-41615-00
14	MR010613001BAG		30F-01.02.02.02	Rubber limited block	1	2	61N-44194-01
15	MR010813017		30F-01.01.00.12	Starter pulley	1	1	
16	MR0104402BAG		GB9074.1 M6x10	Hexagonal bolt & flat gasket assy M6*10	2	10	
17	MR010813002		30F-01.02.00.04	Impulsor seat	1	1	61N-85537-00
18	MR010313007B			Lighting coil assy.	1	1	61N-81313-09
19	MR010313001B			Charging coil & ignition coil comp.	1	1	61N-85543-19
20	MR0104154BAG		GB93 M6	Spring Washer	4	10	
21	MR0104128BAG		GB818 M6x25	Screw M6*25	4	10	
22	MR01044133BAG		GB9074.1 M8x16	Hexagon headed bolt and flat plate M8*16	3	10	
23	MR0104152BAG		GB93 M4	Spring washer 4	4	10	
24	MR0104073BAG		GB818 M4x12	Screw M4*12	4	10	
25	MR010813001BAG		30F-01.02.00.03	Plate,cable	1	2	
26	MR0104217BAG		GB818 M4x8	Pan head bolt with cross recess M4*8	1	10	
27	MR010313004B			Flying wheel	1	1	
28	MR0104172BAG		GB97.1 M16	Flat gasket M16	1	10	90201-16M44
29	MR01020211		F15-01.06.00.06	Fly wheel nut	1	1	90179-16M05



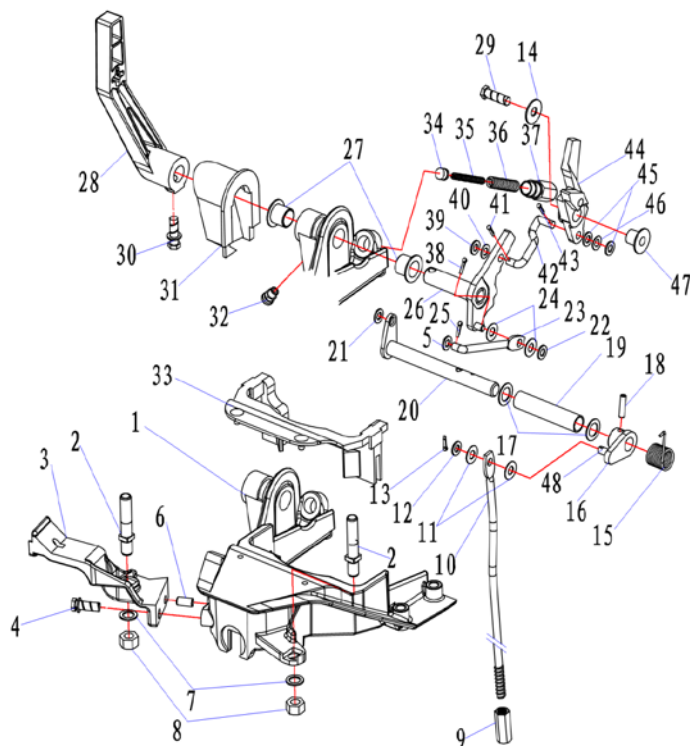
7. Коленвал

NO.	КОД MR	КОД №2	КОД OEM	НАИМЕНОВАНИЕ	ШТ	УПАКОВКА	YAMAHA
1	MR010513032		30F-01.04.02.00	Crankshaft connecting rod	1	1	69P-11400-00
2	MR010513038		30F-01.04.00.28	2nd ring	2		61N-11603-00
3	MR010513037		30F-01.04.00.27	1st ring	2		
4	MR010613030BAG		30F-01.04.02.02	O ring	1	2	
5	MR010513036		30F-01.04.00.25	Pin,piston	2	1	689-11633-00
6	MR010513039BAG		30F-01.04.00.30	Roller pin	68	34	93602-20M02
7	MR010813015BAG		30F-01.04.00.29	Needle bearing plate	4	2	90201-20M27
8	MR01051114BAG		40F-01.06.04.03	Circlip	4	10	688-11634-00
9	MR010513035B			Piston	2	1	61N-11631-00-95



8. Поддон двигателя

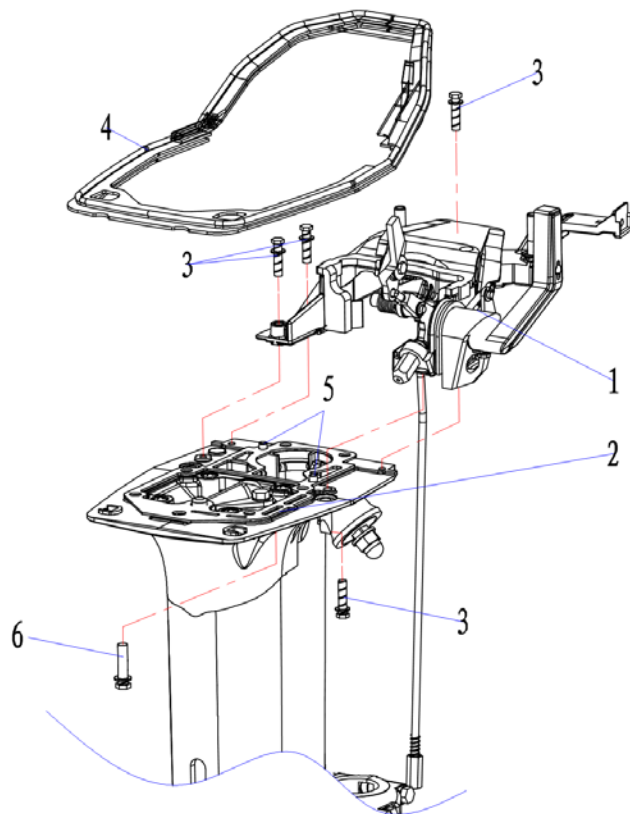
NO.	КОД MR	КОД №2	КОД OEM	НАИМЕНОВАНИЕ	ШТ	УПАКОВКА	YAMAHA
1	MR0909010113021	MR07130005	30F-02.00.00.11	Bottom cowling	1	1	689-42711-04-4D
2	MR010613016BAG		30F-02.00.00.07	Bottom damper	4	2	90480-15M06
3	MR010213021		30F-02.00.00.06	Collar	4	1	90387-08M25
4	MR01060321BAG		F4-02.13	Plug	1	2	689-42725-01
5	MR01060113BAG		15F-02.04	Rubber washer	1	2	
6	MR01070135BAG		15F-02.03	Protecting bush,choke	1	2	689-41273-00
7	MR010713010		30F-02.00.00.03	Pull rod,choke	1	1	682-41271-00
8	MR011013002		30F-01.02.10.00	Engine shut-off switch	1	1	6E9-82575-02
9	MR01100106		15F-01.07.01.00	Fuel hose joint assy	1	1	6G1-24304-02
10	MR01060118BAG		15F-02.12	Rubber plug	1	2	682-42724-00
11	MR01060517BAG		F9.9-01.04.00.13	fuel hose joint Washer	1	2	
12	MR010613024BAG		30F-04.06	Fixing sleeve,throttle cable	1	2	
13	MR0104407BAG		GB9074.1 M6x25	Hexagonal bolt & flat gasket assy M6*25	1	10	
14	MR010613028BAG		30F-02.00.00.01	Rubber fixing sleeve,harness	3	2	61N-26326-00
15	MR010813025		30F-02.00.00.04	Throttle axis	1	1	656-42153-00-94
16	MR010713009BAG		30F-02.00.00.05	Shaft sleeve	2	2	90386-10009
17	MR010213018BAG		30F-02.00.01.02	Insert,throttle lever rocker arm	1	5	
18	MR01041960702BAG		GB879 4x18	Spring pin	1	10	91690-40018
19	MR010113019		30F-02.00.01.01	Throttle lever rocker arm	1	1	69P-42157-00-94
20	MR010613017BAG		30F-02.00.00.08	Plug	1	2	647-42523-00
21	MR0104008BAG		GB5783 M6x12	Hex Head Bolt M6*12	1	10	
22	MR0104164BAG		GB96 M6	Flat gasket	1	10	
23	MR010813032		30F-02.00.00.10	Latch segment	1	1	689-42816-00
24	MR01071119BAG		40F-02.02.00.03	Washer	2	2	
25	MR0909010113020	MR07130004	30F-02.00.02.00	Lock handle comp.	1	1	689-42815-00
26	MR01081111BAG		40F-02.02.00.02	Washer	1	2	
27	MR01070117BAG		15F-01.03.12	Linkage connector	2	2	682-41237-00
28	MR0104137BAG		GB6170 M5	Hexagon nut M5	2	10	
29	MR0109130130BAG			Throttle lever	1	2	
30	MR010417109BAG		GB97.1 M8	Flat gasket	4	10	
31	MR010415001BAG		GB6172 M8	Bolt	4	10	



9. Механизм передач 1

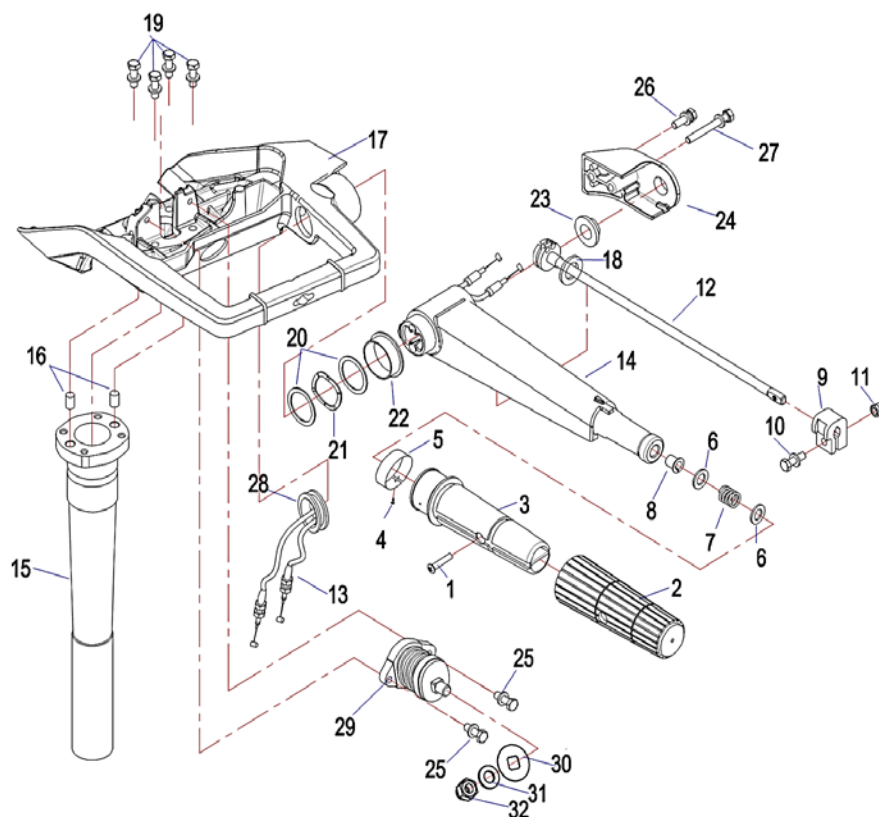
NO.	КОД MR	КОД №2	КОД OEM	НАИМЕНОВАНИЕ	ШТ	УПАКОВКА	YAMAHA
1	MR010113027		30F-05.01.00.15	Gear shift bracket	1	1	69P-44518-00-94
2	MR010213033		30F-05.01.00.04	Double-screw bolt	2	1	
3	MR0909010113025	MR07130009	30F-05.01.00.05	Support	1	1	648-44519-00-94
4	MR0104405BAG		GB9074.1 M6x18	hexagon headed bolt and flat plate M6*18	1	10	
5	MR0104170BAG		GB97.1 M5	Flat gasket	1	10	
6	MR01020110BAG		15F-01.06.20	Locating Pin 2*6	1	10	93606-12019
7	MR010417109BAG		GB97.1 M8	Flat gasket	2	10	
8	MR0104139BAG		GB6170 M8	Bolt nut	2	10	
9	MR01020130BAG		15F-06.04.05	Column nut	1	2	61N-44146-00
10	MR010913012		30F-05.01.00.07	Shift lever(upper)	1	1	61N-44143-00
11	MR010713032BAG		30F-05.01.00.06	Nylon gasket	2	2	90202-06007
12	MR0104170BAG		GB97.1 M5	Flat gasket	1	10	
13	MR010418501BAG		GB91 1.6x10	Cotter pin	1	10	
14	MR0104164BAG		GB96 M6	Flat gasket	1	10	
15	MR010913013BAG		30F-05.01.00.08	Gear shift spring	1	2	90508-14M13
16	MR010113037		30F-05.01.01.00	Rocker arm,shift lever(upper)	1	1	689-44125-00
17	MR010713031BAG		30F-05.01.00.09	Nylon gasket	2	2	90202-10024
18	MR01041960705BAG		GB879 4x16	Elastic cylindrical pin	1	10	
19	MR010213034BAG		30F-05.01.00.10	Gear shift axle sleeve	1	2	
20	MR010813029		30F-05.01.02.00	Gear shift arm	1	1	689-44121-01
21	MR0104170BAG		GB97.1 M5	Flat gasket	1	10	
22	MR0104170BAG		GB97.1 M5	Flat gasket	1	10	
23	MR010913015		30F-05.01.00.13	Gear shift	1	1	664-44142-00
24	MR010713032BAG		30F-05.01.00.06	Nylon gasket	2	2	90202-06007
25	MR010418309BAG		GB91 1x10	Cotter pin 1*10	1	10	
26	MR01081303301		30F-05.01.04.00	Gear shift cam	1	1	664-44113-01
27	MR010713029BAG		30F-05.01.00.14	Handle sleeve	2	2	90381-12M01
28	MR0909010113026	MR07130010	30F-05.01.00.11	Gear shift handle	1	1	689-44111-01-4D
29	MR0104012BAG		GB5783 M6x20	Hex Bolt M6*20	1	10	
30	MR0104406BAG		GB9074.1 M6x20	Flat gasket&Bolt	1	10	
31	MR010613061		30F-05.01.00.12	Damping sleeve	1	1	689-42718-00
32	MR01100109BAG		JB/T9401	Oil cup	1	2	
33	MR010613034		30F-05.01.00.03	Gasket pad	1	1	69P-42717-00
34	MR010213025BAG		30F-05.01.03.04	Gear shift cam stem	1	2	664-44167-01
35	MR010913017BAG		30F-05.01.03.02	Inner spring	1	2	90501-09M08
36	MR010913018BAG		30F-05.01.03.03	Outer spring	1	5	90501-14M07
37	MR010213041		30F-05.01.03.01	Mandrel	1	1	
38	MR0104243BAG		GB91 1.2x12	Cotter pin 1.2*12	1	10	
39	MR0104170BAG		GB97.1 M5	Flat gasket	1	10	
40	MR0104253BAG		GB860 M5	Washer	1	10	
41	MR0104243BAG		GB91 1.2x12	Cotter pin 1.2*12	1	10	

42	MR0109130120		30F-01.05.00.09	Lever	1	1	
43	MR0104243BAG		GB91 1.2x12	Cotter pin 1.2*12	1	10	
44	MR010713050BAG		30F-01.05.00.08	Cam,brake cable	1	2	
45	MR0104170BAG		GB97.1 M5	Flat gasket	2	10	
46	MR0104253BAG		GB860 M5	Washer	1	10	
47	MR010213011		30F-01.05.00.07	Shoulder pad tube	1	1	
48	MR010213035BAG		30F-05.01.01.01	Shift lever connecting shaft	1	2	



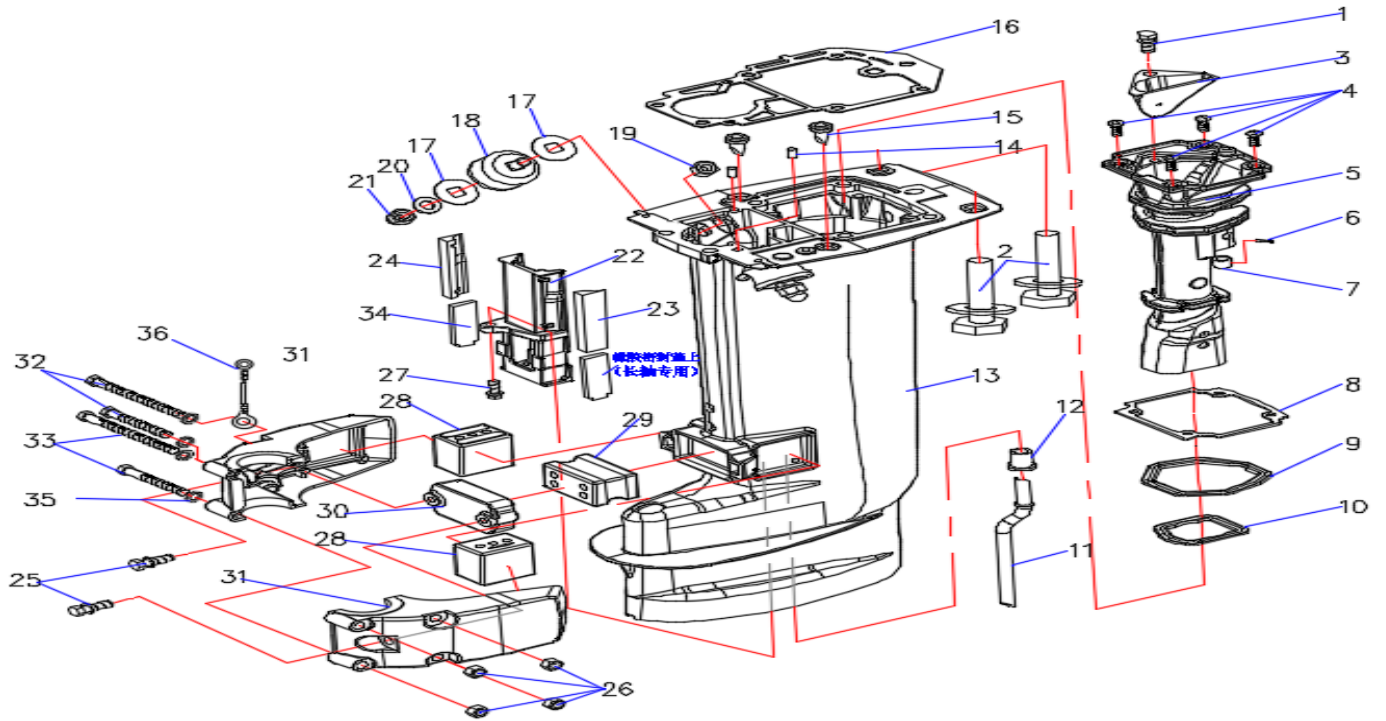
10. Механизм передач 2

NO.	КОД MR	КОД №2	КОД OEM	НАИМЕНОВАНИЕ	ШТ	УПАКОВКА
1				Gear shift parts	1	
2				Upper casing	1	
3	MR0104407BAG		GB9074.1 M6x25	Hexagonal bolt & flat gasket assy M6*25	4	10
4	MR010613033		30F-05.01.00.02	plug	1	1
5	MR2020705001ABAG		30F-05.02.00.14	Positioning pin 6 * 14	2	5
6	MR01044130BAG		GB9074.1 M8x30	Flat gasket&bolts	6	5



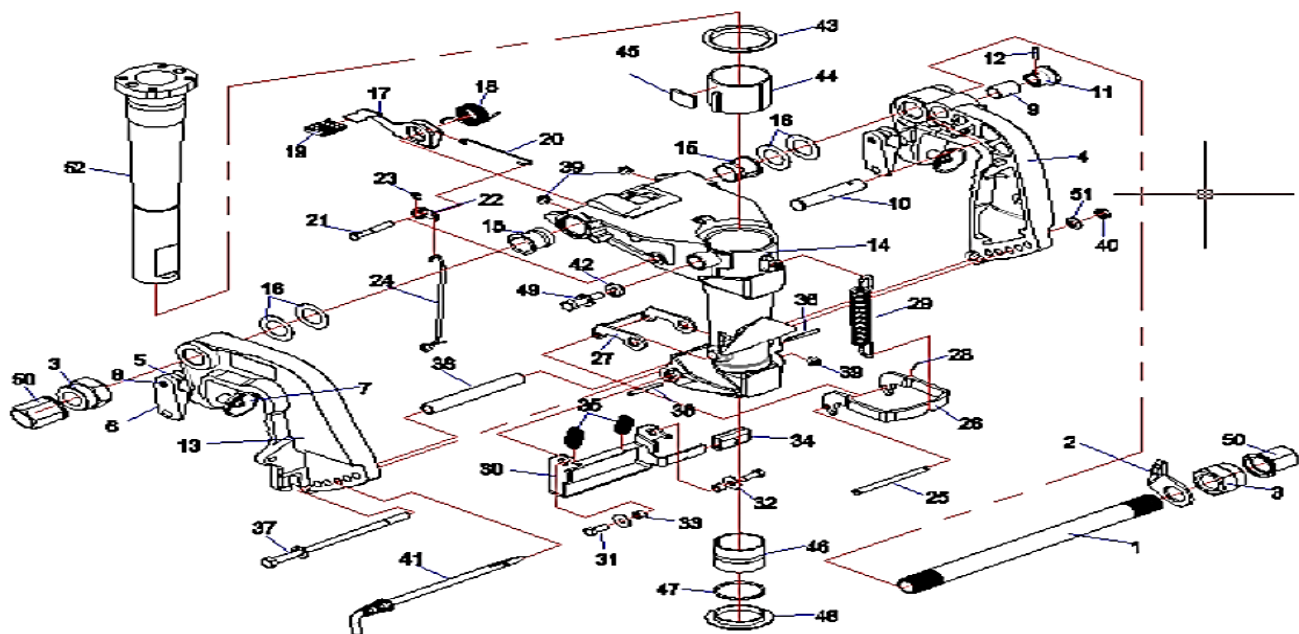
11. Румпель

NO.	КОД MR	КОД №2	КОД OEM	НАИМЕНОВАНИЕ	ШТ	УПАКОВКА	YAMAHA
1	MR0104117BAG		GB820 M5x25	Screw M5*25	1	10	
2	MR01060124		15F-04.07.14	Handle Rubber sleeve	1	1	6F6-42119-00
3	MR01070154		15F-04.07.13	Handle	1	1	664-42119-00
4	MR010408809BAG		GB845 ST2.2x4.5	Screw	1	10	
5	MR01100366BAG		F4-04.11- II	Indicator,throttle	1	2	6G1-42137-10
6	MR0104160BAG		GB848 M10	Flat Pad 10	2	10	
7	MR01090124BAG		15F-04.07.11	Spring	1	2	90501-23215
8	MR01070153BAG		15F-04.07.12	Bushing	1	2	90386-08032
9	MR010713033BAG		30F-04.07.04	Latch segment	1	2	656-42126-01
10	MR0104406BAG		GB9074.1 M6x20	Flat gasket&Bolt	1	10	
11	MR0104146BAG		DIN985 M6	hexagon nylon lock nut	1	10	
12	MR010713034		30F-04.07.03.00	Valve rod comp.	1	1	689-42138-00
13	MR0110130110		30F-04.07.02	Throttle cable	2	1	61N-26311-00
14	MR0909010113023	MR07130007	30F-04.00.00.10	Steering handle	1	1	689-42111-01-4D
15	MR0909010113041	MR07130018	30F-04.00.00.13	Steering bracket axis	1	1	689-42521-00-94
16	MR01021110BAG		40F-01.06.00.25	Dowel pin 8*12	2	5	93608-12063
17	MR0909010113024	MR07130008	30F-04.00.00.11	Steering bracket	1	1	69P-42511-00-4D
18	MR0104161BAG		GB848 M12	Flat gasket 12	1	10	
19	MR0104406BAG		GB9074.1 M6x20	Flat gasket&Bolt	4	10	
20	MR010813027BAG		30F-04.04	gasket	2	5	90201-28013
21	MR010813028		30F-04.05	Wave washer	1	1	90206-28001
22	MR010713036BAG		30F-04.03	handle bush	1	2	90387-33001
23	MR010713035BAG		30F-04.02	bush,Handle cover	1	2	90387-13003
24	MR0909010113022	MR07130006	30F-04.00.00.01	Cap,Steering handle	1	1	69P-42112-00-4D
25	MR0104406BAG		GB9074.1 M6x20	Flat gasket&Bolt	2	10	
26	MR0104406BAG		GB9074.1 M6x20	Flat gasket&Bolt	1	10	
27	MR01044101BAG		GB9074.1 M6x50	Hexagon headed bolt and flat plate M6*50	1	10	
28	MR010613023BAG		30F-04.08	Protecting bush,throttle cable	1	2	
29	MR010613012		30F-00.00.02.00	Damper comp.(Front)	1	1	689-44516-00
30	MR010513040BAG		30F-05.01.00.01	Damper comp.Gasket(Front)	1	10	
31	MR01041710901BAG		GB97.1 M10	Flat gasket	1	10	
32	MR0104230BAG		DIN985 M10x1.25	hexagonal lock nut M10*1.25	1	2	
	MR030811	MR08100008	30F-04.00.00.00	Tiller Assy. (Without steering brakcet	1	1	



12. Дейдвуд

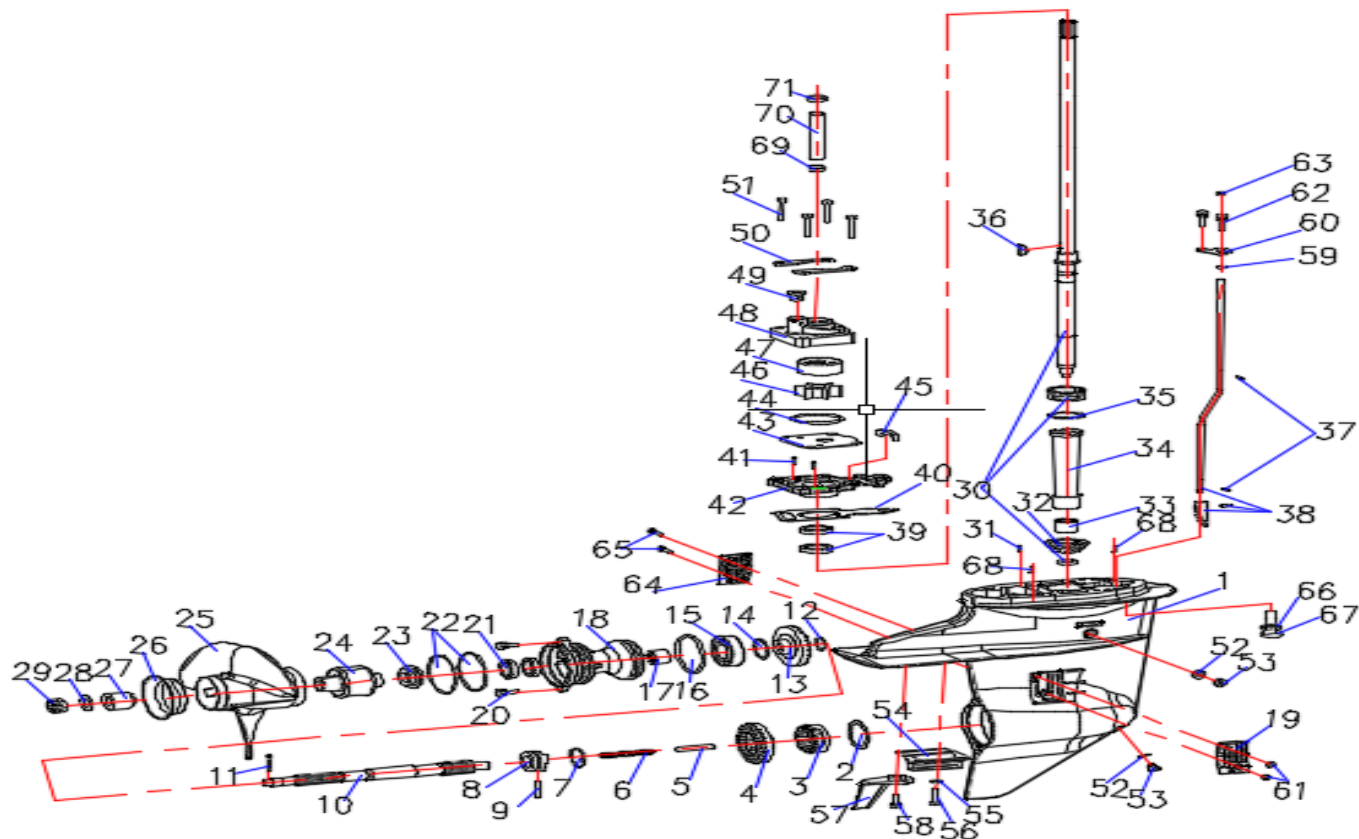
NO.	КОД MR	КОД №2	КОД OEM	НАИМЕНОВАНИЕ	ШТ	УПАКОВКА	YAMAHA
1	MR01044132BAG		GB9074.1 M8x20	Hexagon headed bolt and flat plate M6*20	1	10	
2	MR0104413BAG		GB9074.1 M8x40	Flat gasket&bolts	2	10	
3	MR010113028		30F-05.02.00.01	Exhaust guid	1	1	69P-41137-00-5B
4	MR01040831BAG		GB818 M6x16	Pan head bolt with cross recess	4	10	
5	MR010113029		30F-05.02.00.02	Exhaust manifold	1	1	69P-41131-01-5B
6	MR0104223BAG		GB91 2.5x25	Cotter pin 2.5*25	1	10	
7	MR010713028BAG		30F-05.02.00.06	Idle exhaust plug	1	2	
8	MR010513041		30F-05.02.00.03	Gasket,Exhaust manifold	1	1	69P-41134-A0
9	MR010613020BAG		30F-05.02.00.04	Rubber gasket(upper)	1	2	69P-41138-00
10	MR010613021BAG		30F-05.02.00.05	Lower rubber gasket	1	2	69P-41139-00
11	MR011013099		30F-05.02.00.10-S	Hose (S)	1	1	61N-44361-00
	MR011013003		30F-05.02.00.10-L	Hose (L)	1	1	
12	MR010613022BAG		30F-05.02.00.11	Seal ring(upper),hose	1	2	689-44366-00
13	MR0909010113031	MR07130011	30F-05.02.00.12-S	Upper casing (S)	1	1	69P-45111-00-4D
	MR0909010113050	MR07130019	30F-05.02.00.12-L	Upper casing (L)	1	1	
14	MR2020705001ABAG		30F-05.02.00.14	Positioning pin 6 * 14	2	5	
15	MR01060529BAG		F9.9-02.00.00.12	Water nozzle	2	2	65W-42717-00
16	MR010513060		30F-00.00.00.02	Engine gasket	1	1	689-45113-A1
17	MR010513040BAG		30F-05.01.00.01	Damper comp.Gasket(Front)	4	10	
18	MR010613006		30F-00.00.01.00	Damper comp.	2	1	664-44514-00-94
19	MR0104140BAG		GB6170 M10x1.25	Hexagonal nut M10*1.25	2	2	
20	MR01041710901BAG		GB97.1 M10	Flat gasket	2	10	
21	MR0104230BAG		DIN985 M10x1.25	hexagonal lock nut M10*1.25	2	2	
22	MR01011303001		30F-05.02.00.07-S	Side cover,exhaust (S)	1	1	69P-47467-00-5B
	MR010113030		30F-05.02.00.07-L	Side cover,exhaust (L)	1	1	
23	MR010613025		30F-05.02.00.13	Rubber gasket(lower)- II	1	1	69P-45127-00
24	MR010613027		30F-05.02.00.09	Rubber gasket(lower)	1	1	69P-45128-00
25	MR01044134BAG		GB9074.1 M8x25	Hexagonal bolt & flat gasket assy M8*25	2	10	
26	MR0104147BAG		DIN985 M8	Hexagon nylon lock nut	4	10	
27	MR0104406BAG		GB9074.1 M6x20	Flat gasket&Bolt	1	10	
28	MR010613009		30F-00.00.00.06	Damper (side)	2	1	689-44555-00
29	MR010613010		30F-00.00.00.07	Damper (middle)	1	1	689-44557-00
30	MR010113002		30F-00.00.00.08	Damper seat(middle)	1	1	689-44553-00-94
31	MR0909010113001	MR07130001	30F-00.00.00.04	Damper housing	2	1	689-44551-01-4D
32	MR0104046BAG		GB5782 M8*105(A2-70)	Bolt	2	2	
33	MR0104248		GB5782 M8*70 (9.8)	Hex Head Bolt M8*70	2	1	
34	MR010613026		30F-05.02.00.08	Gasket (upper)	2	1	
35	MR010417109BAG		GB97.1 M8	Flat gasket	4	10	
36	MR01100107		15F-03.05.03	Conductive wire	1	1	



13. Кронштейн струбцин

NO.	КОД MR	КОД №2	КОД OEM	НАИМЕНОВАНИЕ	ШТ	УПАКОВКА	YAMAHA
1	MR01021114		40F-03.04	Bolt	1	1	6J8-43131-01
2	MR01080117		15F-03.03	Orifice plate	1	1	6J8-43113-01
3	MR01020115		15F-03.01	Clamp nut	2	1	
4	MR0909010113038	MR010113038	30F-03.00.03.01	Bracket(LH)	1	1	689-43112-02-4D
5	MR01020527		F9.9- II -03.00.00.02	Clamp Bolt, Transom	2	1	
6	MR091001011122	MR01011122	40F-03.05.03.02	intensify handle	2	1	6E0-43118-01
7	MR01080118BAG		15F-03.05.02.03	Clamp plate	2	2	648-43114-01
8	MR0104222BAG		GB1015 4x18	Bolt	2	10	
9	MR010213015BAG		30F-03.01.02	Bushing, bracket(LH)	1	2	
10	MR01021116		40F-03.05.04.01	Position axis	1	1	
11	MR010711141BAG		40F-03.05.04.02	Position axis handle	1	2	
12	MR0104221BAG		GB879 3x18	Elastic cylindrical pin 3*10	1	10	
13	MR0909010113039	MR010113039	30F-03.00.04.00	Bracket(RH)	1	1	389-43111-03-4D
14	MR0909010113040	MR010113040	30F-03.00.00.22	Swivel bracket	1	1	689-43311-03-4D
15	MR01070141BAG		15F-03.09.02	Damping ring, bracket	2	2	90386-22M67
16	MR01081114BAG		40F-03.03	Washer	4	2	
17	MR010813026		30F-03.03.07	Locker, tilt	1	1	689-43631-00
18	MR010913009BAG		30F-03.03.09	Torsional spring	1	5	689-43643-00
19	MR010613018BAG		30F-03.03.08	Protect sleeve, Locker	1	2	689-43633-00
20	MR010913010BAG		30F-03.03.10	Position rocker rod	1	2	689-43616-00
21	MR010213019BAG		30F-03.03.12	Axis pin	1	5	
22	MR010813024BAG		30F-03.03.11	Position rocker support	1	5	648-43642-00
23	MR0104178BAG		GB896 5	Circlip	1	10	99080-05600
24	MR010913008		30F-03.03.13	limit rob, outlet tilt	1	1	648-43617-00
25	MR010213020BAG		30F-03.03.15	Tilt position axis	1	2	90240-05047
26	MR010813022		30F-03.03.16	Lock plate, outlet tilt	1	1	689-43614-01
27	MR010813023		30F-03.03.14	Arm, tilt lock	1	1	648-43615-00
28	MR0104243BAG		GB91 1.2x12	Cotter pin 1.2*12	1	10	
29	MR010913007		30F-03.03.17	Spring	1	1	90506-30M27
30	MR010813019		30F-03.03.18.00	Position plate, shallow water	1	1	689-43681-01
31	MR0104009BAG		GB5783 M6x16	Bolt	2	10	
32	MR0104164BAG		GB96 M6	Flat gasket	2	10	
33	MR010213022BAG		30F-03.03.19	Cushion tube	2	2	
34	MR01060123BAG		15F-03.09.12.01	rubber Sleeve	1	2	
35	MR010913006BAG		30F-03.03.20	Spring	2	2	
36	MR01041960704BAG		GB879 4x35	Cylindrical pin	2	10	
37	MR0104249BAG		GB9074.1 M8x160 (A2-70)	Bolt M8*160	1	2	

38	MR010213023		30F-03.04	Sleeve	1	1	
39	MR01100109BAG		JB/T7940.1	Oil cup	3	2	
40	MR0104139BAG		GB6170 M8	Bolt nut	1	10	
41	MR010913051		30F-03.05	Pin	1	1	689-43160-00
42	MR01060122BAG		15F-03.09.09	Gasket	1	2	
43	MR0108130070BAG		30F-03.03.02	Bushing(upper)	1	2	90209-47016
44	MR010713008BAG		30F-03.03.03	Lock washer	1	2	90386-47M22
45	MR01061126		40F-03.07.05	Friction plate,Locking	1	1	648-42528-00
46	MR010713038BAG		30F-03.03.04	bushing (bottom)	1	2	90386-38090
47	MR010613019BAG		30F-03.03.05	Rubber ring	1	2	93210-37160
48	MR010713037BAG		30F-03.03.06	Lower bushing	1	2	90386-38022
49	MR0104406BAG		GB9074.1 M6×20	Flat gasket&Bolt	1	10	
50	MR01071949BAG		60F-03.00.00.08	Stud cover	2	2	
51	MR010417109BAG		GB97.1 M8	Flat gasket	1	10	
52	MR0909010113041	MR07130018	30F-04.00.00.13	Steering bracket axis	1	1	



14. Редуктор

NO.	КОД MR	КОД №2	КОД OEM	НАИМЕНОВАНИЕ	ШТ	УПАКОВКА	YAMAHA
1	MR0909010113036	MR07130014	30F-06.00.00.27	Lower casing	1	1	61N-45311-02-4D
2	MR010813038BAG		30F-06.00.00.26	Shim,forward gear	1	2	6L2-45567-00
3	MR01050135		15F-06.07	Roller Bearings	1	1	93332-00005
4	MR010513056A		30F-06.00.00.22	Forward gear	1	1	61N-45560-10
5	MR010213049BAG		30F-06.00.05.06	Gear shift plunger	1	2	648-45635-00
6	MR010913019BAG		30F-06.00.05.05	Compression spring	1	2	90501-10065
7	MR01090129BAG		15F-06.10.04	Circlip	1	2	
8	MR010513048		30F-06.00.05.02	Dog clutch	1	1	664-45631-02
9	MR01020131BAG		15F-06.10.03	Pin	1	10	
10	MR010513047		30F-06.00.05.01	Propeller shaft	1	1	65W-45611-00
11	MR0104223BAG		GB91 2.5*25	Cotter pin 2.5*25	1	10	
12	MR010813035BAG		30F-06.00.00.06	gasket	1	2	90201-20417
13	MR010513045A		30F-06.00.04.06	Reverse gear	1	1	61N-45571-00
14	MR010813034BAG		30F-06.00.04.05	shim	1	5	6L2-45577-00
15	MR010513044		30F-06.00.04.04	deep groove ball bearing	1	1	93306-00612
16	MR010613058		30F-06.00.04.07	O ring(63.5*4)	1	1	93210-64ME7
17	MR010513043		30F-06.00.04.03	Needle bearing(HK2016)	1	1	93315-22004
18	MR0909010113034	MR07130013	30F-06.00.04.01	Cap,lower casing	1	1	61N-45361-01-4D
19	MR010713027BAG		30F-06.00.00.05	cover,water inlet	1	2	
20	MR0104406BAG		GB9074.1 M6*20(A2-70)	Flat gasket&Bolt	2	10	
21	MR010513042		30F-06.00.04.02	Oil seal (20*34*6.5)	2	1	93101-20M07
22	MR010613059		30F-06.00.04.08	O ring(67*2.5)	2	1	93210-65M50
23	MR010213030		30F-06.00.00.03	Pad,propeller	1	1	6L2-45987-01-00
24	MR010613037		30F-06.00.02.00	Propeller shaft teeth assy.	1	1	
25	MR010113032		30F-06.00.01.01	Propeller(9-7/8*12-F)	1	1	
26	MR010113033		30F-06.00.01.02	Propeller horn(9-7/8*12-F)	1	1	
	MR0303090	MR08150008	30F-06.00.01.00	Propeller Assy.	1	1	664-45949-02-EL
27	MR010213028		30F-06.00.00.02	Pad,Propeller Liner	1	1	689-45997-00-00
28	MR010417301BAG		GB97.1 M14	Flat gasket 14	1	10	
29	MR010213027		30F-06.00.00.01	Nut M14	1	1	90171-14013
30	MR010513051		30F-06.00.07.00-S	Drive shaf (S)	1	1	61N-45510-00
	MR0105130510		30F-06.00.07.00-L	Drive shaf (L)	1	1	
31	MR01020129BAG		15F-06.03.08	Cotter Pin 4*12(short shaft)	1	10	
32	MR010513055A		30F-06.00.00.21	Driving wheel	1	1	61N-45551-00
33	MR010513055		30F-06.00.00.28	Needle bearing (F2020) NSK	1	1	93315-220V7
34	MR010713022		30F-06.00.00.29	Nylon bushing	1	1	61N-45536-00
35	MR010813037BAG		30F-06.00.00.25	shim	1	2	61N-45587-00
36	MR011011200		40F-06.09.02	Woodruff key	1	1	90280-03M03

37	MR01041960706BAG		GB879 2.5*14	Elastic cylindrical pin 2.5*14	2	10	
38	MR010913033		30F-06.00.06.00-S	Shift cam assy.(S)	1	1	
39	MR01051138		40F-06.04.04	Oil seal(22*36*7)	2	1	
40	MR2050706005		30F-06.00.00.18	Gasket,bearing seat	1	1	
41	MR01020129BAG		15F-06.03.08□	Cotter Pin 4*12(short shaft)	2	10	
42	MR010113035	MR0909010113035	30F-06.00.00.20	Bearing seat	1	1	61N-45331-00-5B
43	MR010813042		30F-06.00.00.13	Plate,water pump	1	1	61N-44323-00
44	MR010613039BAG		30F-06.00.00.12	O-ring,Water pump casing(46*3.3)	1	2	93210-45161
45	MR010613038BAG		30F-06.00.00.16	Sealing strip,bearing seat	1	2	61N-45127-00
46	MR01061147		40F-06.09.00	Impeller assy.	1	1	6H4-44352-02
47	MR010813041		30F-06.00.00.11	Insert, cartridge	1	1	69P-44322-00
48	MR010713024		30F-06.00.00.10	Casing,water pump	1	1	69P-44311-00
49	MR010613035BAG		30F-06.00.00.09	hose seal ring	1	2	
50	MR010813040BAG		30F-06.00.00.08	Baffle,water pump	2	2	
51	MR0104016BAG		GB5783 M6*40(A2-70)	Bolt	4	10	
52	MR01080139BAG		15F-06.01.04	Gasket	2	10	
53	MR01020128BAG		15F-06.01.03	plug,straight screw	2	2	
54	MR01010122		15F-06.15	Anode	1	1	61N-45251-01
55	MR0104155BAG		GB861.1 M6	Washer,inner gear	1	10	
56	MR0104255BAG		GB5783 M6*35(9.8)	Hexagon head bolt (1Cr17Ni2 Dacro)	1	2	
57	MR010713025		30F-06.00.03.00	Heading trim tab assembly	1	1	61N-45371-00
58	MR0104406BAG		GB9074.1 M6*20(A2-70)	Flat gasket&Bolt	1	10	
59	MR01060135BAG		15F-06.03.03	Shift lever o-ring	1	2	
60	MR010813036BAG		30F-06.00.00.15	Gearshift cam plate	1	2	
61	MR0104145BAG		DIN985 M5	Hexagonal nut	2	10	
62	MR0104407BAG		GB9074.1 M6*25(A2-70)	Hexagonal bolt & flat gasket assy M6*25	2	10	
63	MR0104138BAG		GB6170 M6	Hex Nut M6	1	10	
64	MR010713026BAG		30F-06.00.00.04	Water inlet cover A	1	2	
65	MR0104252BAG		GB819 M5*30	cross recessed countersunk head screw M5*30	2	10	
66	MR0104160BAG		GB848 M10	Flat Pad 10	4	10	
67	MR010213042		30F-00.00.00.01	Bolt(M10*35)	4	1	
68	MR01020110BAG		15F-01.06.20	Locating Pin 2*6	2	10	
69	MR01061136BAG		40F-06.01.15	Sealing ring(S)	1	2	
70	MR010213032		30F-06.00.05.07	Copper bushing (only for long shafts)	1	1	
71	MR01061135BAG		40F-06.01.14	Sealing ring (L)	1	2	
	MR030517	MR08140016	30F(S)-06.00.00.00	low unit (S)	1	1	
	MR030516	MR08140015	30F(L)-06.00.00.00	low unit (L)	1	1	

15. Аксессуары

NO.	КОД MR	КОД №2	КОД OEM	НАИМЕНОВАНИЕ	ШТ	УПАКОВКА	YAMAHA
1	MR0104223BAG		GB91 2.5*25	cotter pin	1	10	
2	MR01061147		40F-06.09.00	impeller Assy.	1	1	6H4-44352-02
3	MR01070166		15F-08.00.00	fuel case Assy.	1	1	
4	MR01070168BAG		15F-09.01	emergency starting handle	1	2	
5	MR01080139BAG		15F-06.01.04	thread plug seal gasket	2	10	90430-08020
6	MR01100103		15F-01.01.22	starter rope	1	1	
7	MR01100119		15F-08.01.06.00	Fuel Hose With Connector	1	1	
8	MR01100134		15F-09.00	toolkit	1	1	